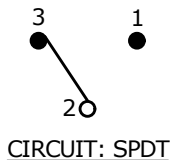
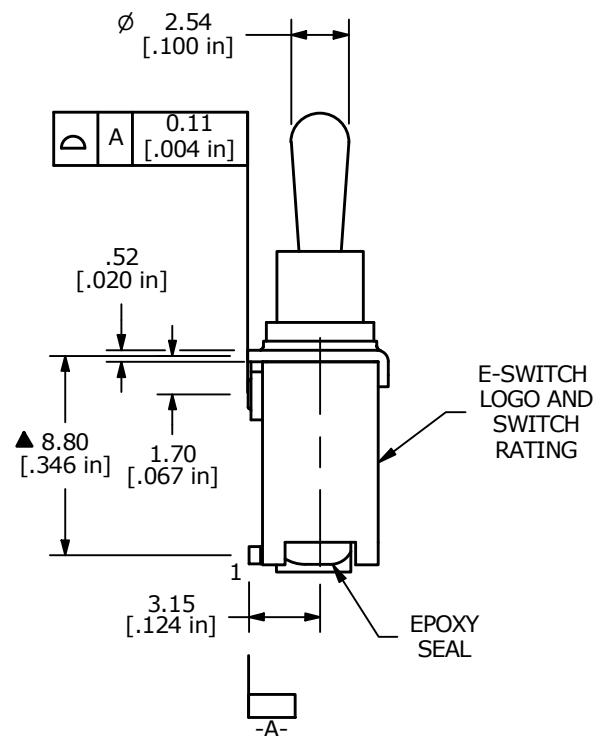
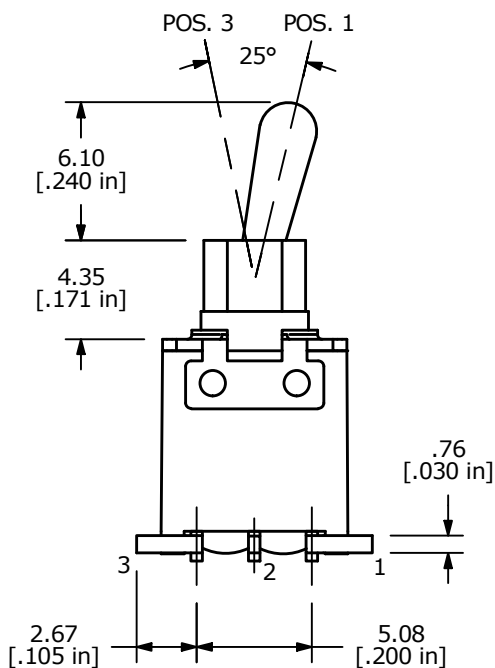


SWITCH FUNCTION		
POS. 1	POS. 2	POS. 3
ON	NONE	ON
2-3	N/A	2-1



NOTES:

1. ALL DIMENSIONS IN MM [INCH]
2. TERMINAL NUMBERS FOR REF. ONLY
3. GENERAL TOLERANCE: X.X = ± 0.4
X.XX = ± 0.25
4. PLATING MATERIAL: GOLD OVER SILVER
5. RATING: 0.4VA MAX. @ 20V AC or DC
6. CONTACT RESISTANCE: 20 MILLI-OHMS MAX.
7. MECHANICAL LIFE: 30,000 MAKE AND BREAK CYCLES AT FULL LOAD
8. INSULATION RESISTANCE: 1,000 MEGA-OHM MIN.
9. DIELECTRIC STRENGTH: 1,000 V RMS@SEA LEVEL
10. OPERATING TEMPERATURE: -30°C to 85°C
11. PACKAGING: 500 PER REEL
12. ▲ DENOTES CRITICAL PARAMETER.



F	24514	correct Rating	10/1/20	MW
E	22359	REDRAWN AND REVISED	6/20/16	MJR
D	16058	UPDATE DIMENSIONS	5/30/06	CT
REV	PCR NO	DESCRIPTION	DATE	BY



TITLE 200BWMSP1T2A1SM6RE				
SCALE 3:1	DATE 6/29/1999	DR MM	DWG T833017	REV F